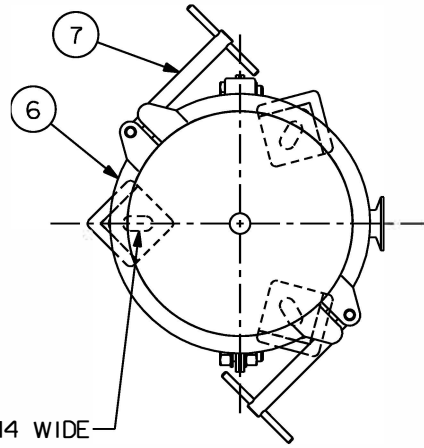
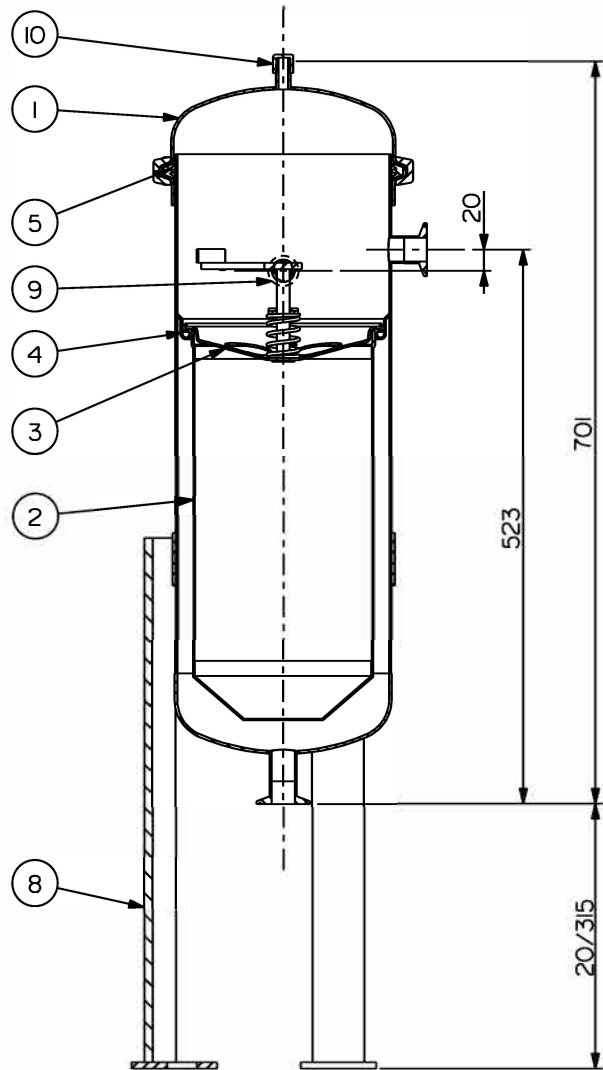


No.	Description	Material
1	LID	316L ST.ST.
2	SINGLE BASKET	316L ST.STL.
3	BASKET COMPRESSION PLATE	316L ST.STL.
4	INNER GASKET	E.P.
5	TOP GASKET	EPDM
6	CLAMP	304 ST.ST.
7	CLAMP TEE BAR	316L ST.STL.
8	ADJUSTABLE LEGS	304 ST.STL.
9	BLANKING CAP	316L ST.STL.
10	BLANKING CAP	316L ST.STL.



3 SLOTS 14 WIDE
EQUI-SPACED
ON A 192 PCD



PED CLASSIFICATION :
CATEGORY 1 FOR GROUP 2 GASES *

*- EXCLUSIONS AS STATED IN THE OPERATING AND
MAINTENANCE MANUAL SUPPLIED WITH HOUSING
ATEX CERTIFIED:CE EX II 2 GD cx

Design Pressure Bar g		Design Temperature °C	
Liquid	Gas	Min.	Max.
10	4.5	-10	150

VENT : 1/4" BSPM NIPPLE + BSP CAP
DRAIN : 1/2" BSPM NIPPLE + BSP CAP

Model	No. of Bags / Cartridges	Material of Construction	Connection Size and Type	Volume (litres)	Dry Weight (kg)
IFAB 206	1 x SINGLE	316L ST.ST.	1" TRI CLAMP TO BS4825-3	20.6	28.2

IFAB

206 SERIES 1 x SINGLE 316L
UNIVERSAL BASKET
ETHYLENE PROPYLENE

Drawing N°

SOI233-206

Rev. N°

0